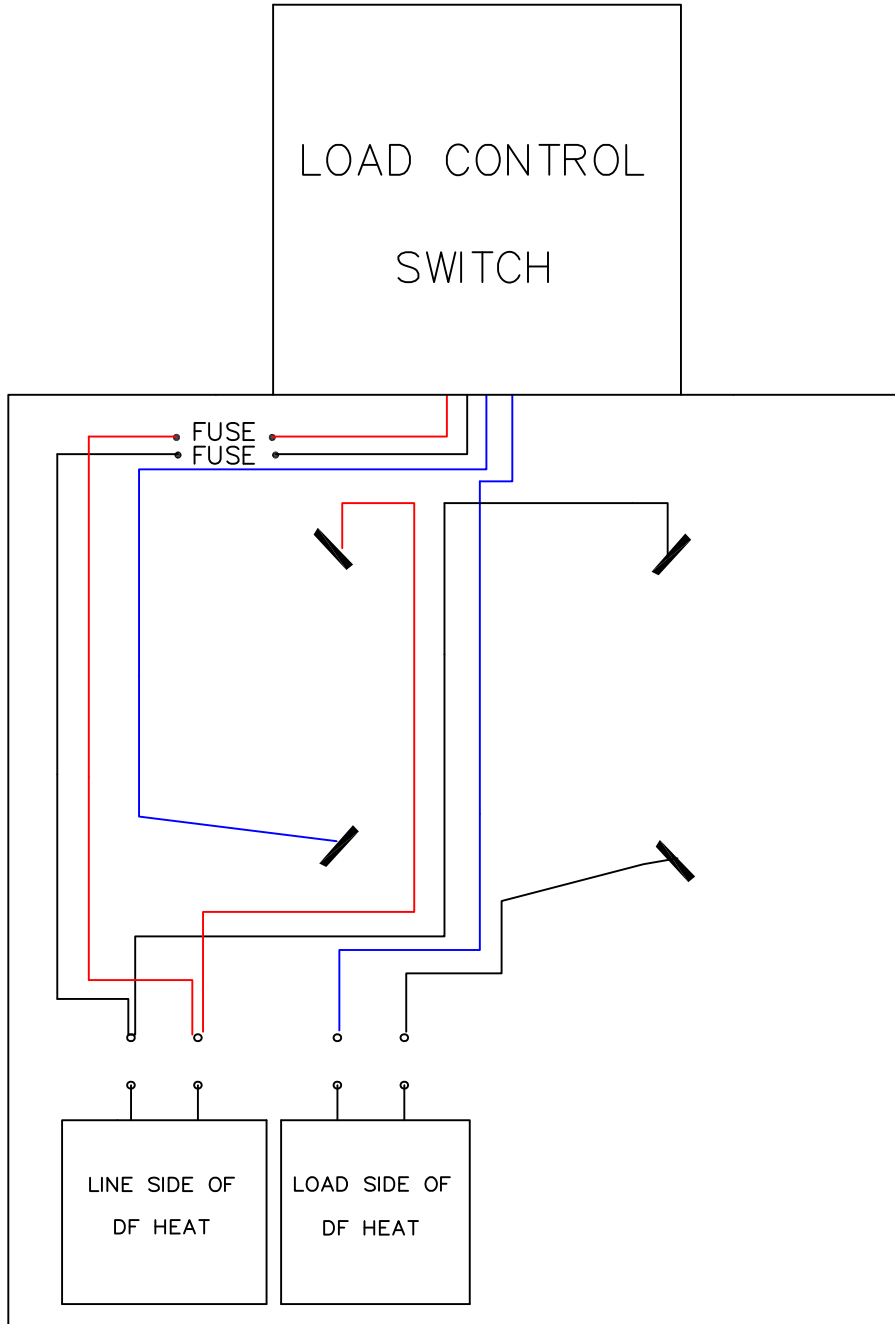



# DF LOADS OF 5 KW



**NOTES:**

- 1 WRIGHT-HENNEPIN C.E.A. IS NOT RESPONSIBLE OR LIABLE FOR ANY PERSONAL INJURY OR PROPERTY DAMAGE IN THE WIRING OF OR THE OPERATION OF THIS ENERGY SAVINGS PROGRAM.
- 2 ALL WIRING MUST MEET N.E.C. (NATIONAL ELECTRIC CODE) AND BE INSPECTED BY A STATE ELECTRICAL INSPECTOR BEFORE WRIGHT-HENNEPIN WILL INSTALL METER.
- 3 LOAD CONTROL SWITCH AND METER SOCKET MUST BE MOUNTED OUTSIDE 4' TO 5' OFF THE GROUND.
- 4 ANY TIME POWER IS OFF AND RESTORED TO THE LOAD CONTROL SWITCH THERE WILL BE A 15 MINUTE DELAY BEFORE UNIT WILL BE ALLOWED TO OPERATE.

	<b>WRIGHT-HENNEPIN COOPERATIVE ELECTRIC ASSOCIATION</b>				
	<b>ENERGY AND SERVICES DEPARTMENT</b> <b>1-800-943-2667</b> <b>DF LOADS OF 5KW</b>				
DATE	4/19/2024	DWG BY:	TLG	DWG NO.	LM17
PROJECT NO.		SCALE	N/A	CHKD BY:	APPD BY:
				SHEET	1 OF 1